



ObstiVision LED obstacle light – the promise of a safe journey

ObstiVision XGP500

The ObstiVision LED is a dedicated maintenance-free obstacle light for aviation warning purposes and features LUXEON® K2 LEDs. Its advanced high-power LED with optimized optical design is able to create a reliable system based on only one single LED. It is suitable to be used as a Low Intensity, Type A obstacle light according to ICAO standards. The key applications are telecom towers, buildings, power transmission towers, airports and general aviation warning purposes. The efficiency, reliability and freedom from maintenance mean that ObstiVision will save you money over time! Considering the cost of ownership, you can have your payback period as short as one year by using ObstiVision as compared to the conventional obstruction lighting system.

Benefits

- No lamp replacement and free from maintenance during lifetime
- Increased safety thanks to low failure LED technology
- Energy saving compare to incandescent lighting technology

Features

- Using LED chip as light source
- Life time 50,000 hours (70% lumen maintenance)
- Exceptional energy efficiency
- Plug and play, operates under multiple power inputs
- Water and dust protection reaches IP66, vibration proof

Application

- High buildings
- Towers

- Airports
- General aviation warning purposes

Specifications

• Type	XGP500
• Light source	Luxeon® K2 LED, with superior packaging and low thermal resistance
• Light color	Red
• Light intensity (ICAO)	> 15 cd
• Power supply	100-240 V AC / 50-60 Hz 24-48 V DC
• Power consumption	Max 5 W
• Materials and finishing	Housing: high-pressure, die-cast aluminum Cover: glass, UV-protected clear, 5 mm thick Stainless steel plate to support LED unit
• Color	Yellow, powder painted
• Installation	Pipe installation: the standard luminaire comes with threaded base (G1") Terminal block for 2 x (0 to 2.5 mm ²) cables Operating temperature: -40°C < T _a < 70°C Drag factor (Cx): 1.2 Max SCx value by side: 0.0202 m ²

• Lifetime	50,000 hours (70% lumen maintenance)
• Remarks	Complies with International Civil Aviation Organization (ICAO) standards and recommended practices – Aerodromes Annex 14 Volume 1, 3rd edition – July 1999, Chapter 6 Wind load at 200 km/h or less than 40 N Weight: 1.35 kg

Related products

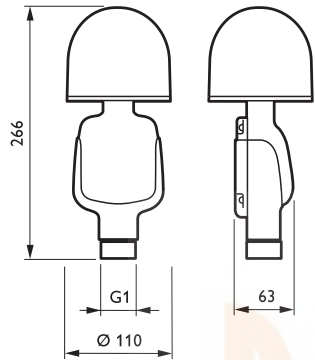


ObstiVision XGP500 amenity-lighting luminaire

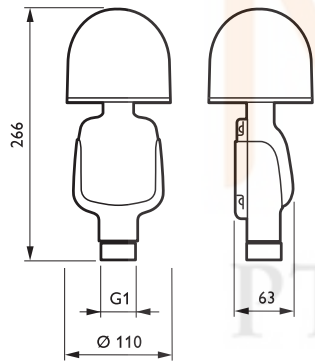


PHILIPS

Dimensional drawing



XGP500 1xLED-K2/RD 100-240V



XGP500 1xLED-K2/RD 100-240V

General information

Order code	Product family code	Number of lamps	Lamp family code	Lamp color code
911400667880	XGP500	1	LED-K2	RD

Order code	Product family code	Number of lamps	Lamp family code	Lamp color code
911400673680	XGP500	1	LED-K2	RD



© 2013 Koninklijke Philips N.V. (Royal Philips)
All rights reserved.

Specifications are subject to change without notice. Trademarks are the property of Koninklijke Philips N.V. (Royal Philips) or their respective owners.

www.philips.com/lighting

2013, March 26
data subject to change